

EXHIBIT 1



US0D1087596S

(12) **United States Design Patent**
Lozinski

(10) **Patent No.:** **US D1,087,596 S**

(45) **Date of Patent:** **** Aug. 12, 2025**

- (54) **MAGNETIC ATTACHMENT BAG**
- (71) Applicant: **Magbag LLC**, Oviedo, FL (US)
- (72) Inventor: **Kyle Casey Robert Lozinski**, Saint Cloud, FL (US)
- (73) Assignee: **Magbag LLC**, Oviedo, FL (US)
- (**) Term: **15 Years**
- (21) Appl. No.: **29/964,685**
- (22) Filed: **Sep. 24, 2024**

- D394,552 S * 5/1998 Melk D3/289
- D415,390 S * 10/1999 Winnington-Ingram D3/202
- D432,785 S * 10/2000 Berg D3/229

(Continued)

OTHER PUBLICATIONS

Magnetic Bag Company, Magnetic Bottle Bag, amazon.com. photo review date of Jun. 5, 2024, https://www.amazon.com/Magnetic-Bag-Company-Bottle-Attachment/dp/B0D4NK52JH/ref=cm_cr_ar_p_d_product_top?ie=UTF8&th=1 (Year: 2024).*

(Continued)

Primary Examiner — Steven J Czyz

(57) **CLAIM**

The ornamental design for a magnetic attachment bag, as shown and described.

DESCRIPTION

FIG. 1 is a front elevational view of a magnetic attachment bag, showing my new design.
 FIG. 2 is a right elevational view thereof.
 FIG. 3 is a left elevational view thereof.
 FIG. 4 is a rear elevational view thereof.
 FIG. 5 is a top plan view thereof.
 FIG. 6 is a bottom plan view thereof.
 FIG. 7 is a front top right perspective view thereof.
 FIG. 8 is a rear top left perspective view thereof.
 FIG. 9 is a front bottom right perspective view thereof.
 FIG. 10 is a rear bottom left perspective view thereof.
 FIG. 11 is a front top right perspective view thereof.
 FIG. 12 is a rear top left perspective view thereof.
 FIG. 13 is a front bottom right perspective view thereof.
 FIG. 14 is a rear bottom left perspective view thereof.
 FIG. 15 is a front top right perspective view thereof.
 FIG. 16 is a rear top left perspective view thereof.
 FIG. 17 is a front bottom right perspective view thereof; and,
 FIG. 18 is a rear bottom left perspective view thereof.
 The broken lines depict portions of the article and environment that form no part of the claimed design.

Related U.S. Application Data

- (63) Continuation-in-part of application No. 18/819,672, filed on Aug. 29, 2024.

Foreign Application Priority Data

Jun. 5, 2024 (CN) 202430342299.3

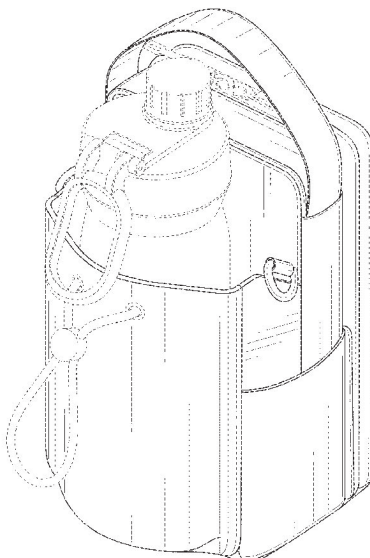
- (51) **LOC (15) CL.** **03-01**
- (52) **U.S. Cl.**
USPC **D3/229; D3/202**
- (58) **Field of Classification Search**
USPC D3/201, 202, 215, 229; D7/605, 608, D7/619.1, 624.1, 624.2; D9/702, 711, D9/455
CPC B65D 81/38; B65D 81/3865; B65D 81/3876; B65D 81/3888; A47G 23/02; A45C 2200/20; A45F 3/02; A45F 3/005
See application file for complete search history.

References Cited

U.S. PATENT DOCUMENTS

- D335,957 S * 6/1993 Cantrell D3/229
- D373,016 S * 8/1996 Welsh D3/202
- D379,711 S * 6/1997 Fitzgerald D3/202

1 Claim, 18 Drawing Sheets



(56)

References Cited

U.S. PATENT DOCUMENTS

6,401,993 B1 * 6/2002 Andrino A45F 5/00
 D3/229
 D468,534 S * 1/2003 Crandall D3/276
 D472,385 S * 4/2003 Bauer A45C 7/0045
 D3/276
 D507,875 S * 8/2005 Hillman D3/273
 D568,041 S * 5/2008 Clements D3/202
 D577,483 S * 9/2008 Tagliati D3/202
 D588,353 S * 3/2009 Khubani D3/201
 D630,429 S * 1/2011 Reyes D3/229
 D676,657 S * 2/2013 Knecht D3/303
 D749,316 S 2/2016 Lee
 9,308,976 B2 4/2016 Peterson
 D755,502 S * 5/2016 Halter D3/202
 D773,800 S * 12/2016 Willows D3/202
 D773,809 S * 12/2016 Lieser D3/232
 D780,442 S * 3/2017 Tidwell D3/202
 D790,209 S * 6/2017 Thai D3/202
 D792,096 S * 7/2017 Piccora D3/303
 D840,674 S * 2/2019 Earhart D3/202
 10,226,109 B1 3/2019 Calder
 D858,226 S * 9/2019 Escontrela D7/624.2
 D866,952 S * 11/2019 Duran D3/202
 D874,127 S * 2/2020 Wang D3/202
 D885,148 S * 5/2020 Wang D7/624.2
 D889,914 S * 7/2020 Wadsworth D3/229
 D889,915 S * 7/2020 Wadsworth D3/229
 D904,130 S * 12/2020 Myers D7/624.2
 D925,995 S * 7/2021 Wang D3/229
 D932,318 S * 10/2021 Chen D9/711
 11,172,752 B2 * 11/2021 Dow A45F 3/02
 D938,785 S * 12/2021 Dow D7/624.2
 D974,747 S 1/2023 He
 D976,578 S 1/2023 Ren
 D980,683 S * 3/2023 Lin D3/229
 D981,799 S * 3/2023 Warmenhoven D7/624.2
 D981,800 S * 3/2023 Huang D3/202
 D982,985 S * 4/2023 Jeong D7/607
 D985,259 S 5/2023 Grill
 D990,869 S 7/2023 Mn
 D991,032 S * 7/2023 Shi D3/229
 D998,967 S * 9/2023 Chao D3/289
 D999,026 S * 9/2023 Western D3/202
 D1,000,207 S * 10/2023 Maslin D3/202
 D1,011,041 S 1/2024 Sartori
 D1,015,727 S * 2/2024 Hong D3/202
 D1,016,473 S * 3/2024 Rayner D3/217

D1,018,033 S * 3/2024 Dai D3/202
 D1,021,386 S 4/2024 Li
 D1,030,301 S 6/2024 Lin
 D1,032,300 S * 6/2024 Wang D3/202
 D1,035,395 S * 7/2024 Chao D3/202
 D1,039,265 S 8/2024 Lin
 D1,047,420 S 10/2024 Lin
 D1,050,712 S * 11/2024 Watkins D3/202
 D1,052,256 S * 11/2024 Zeng D3/202
 2010/0155437 A1 * 6/2010 Broadbent A45C 11/20
 224/148.1
 2013/0098954 A1 * 4/2013 Inglis A45C 1/02
 224/148.4
 2015/0102192 A1 4/2015 Ciampi
 2021/0307495 A1 * 10/2021 Schori H01F 7/0263

OTHER PUBLICATIONS

Pulll Magnetic Bottle Gym Bag, pullathletics.com, <https://pullathletics.com/products/pulll-magnetic-gym-bag> (Year: 2024).
 Cases Magnetic Gym Bag, smartsaker.com, https://www.smartsaker.com/products/magnetic-gym-bag-for-gym?gad_source=1&gclid=EAlalQobChMI4cPMjof2igMVxU1HAR2Lixc8EAQYyABEgIFHPD_BwE&variant=68357359-1e1f4d0d-ac8e-7e0b61048502 (Year: 2024).
 VKZ Magnetic Crossbody Gym Bag Water Bottle Holder Water-proof, amazon.com, <https://www.amazon.com/dp/B0DJ73S9N6> (Year: 2024).
 Gymnetic Magnetic Bottle Gym Bag, gymnetic.co, <https://gymnetic.co/products/magnetic-bottle-gym-bag> (Year: 2024).
 Netix, the only gym bag that powers ahead, Retrieved From Internet, Retrieved on Aug. 28, 2024, <URL: <https://netixfitness.com/>>.
 Snapbags, Magnetic Sports Bag, Retrieved From Internet, Retrieved on Aug. 28, 2024, <URL: <https://snap-bags.com/>>.
 Hernandez, Matias, Velites Storm : The Ultimate Fitness Backpack, Retrieved From Internet, Retrieved on Aug. 28, 2024, <URL: <https://www.kickstarter.com/projects/velites/velites-storm-the-ultimate-fitness-backpack/description>>.
 Lhids, magpac, Retrieved From Internet, Retrieved on Aug. 28, 2024, <URL: <https://lhidscreative.com/collections/magpac>>.
 Magpro, themagprobag, Retrieved From Internet, Retrieved on Aug. 28, 2024, <URL: <https://www.tiktok.com/@themagprobag>>.
 Youngymmate, Gym Mate, Retrieved From Internet, Retrieved on Aug. 28, 2024, <URL: <https://themagpro.com/>>.
 Corkcicle., Sling Crossbody Water Bottle Sling Bag, Retrieved From Internet, Retrieved on Sep. 23, 2024, <URL: <https://corkcicle.com/products/sling-bag>>.

* cited by examiner

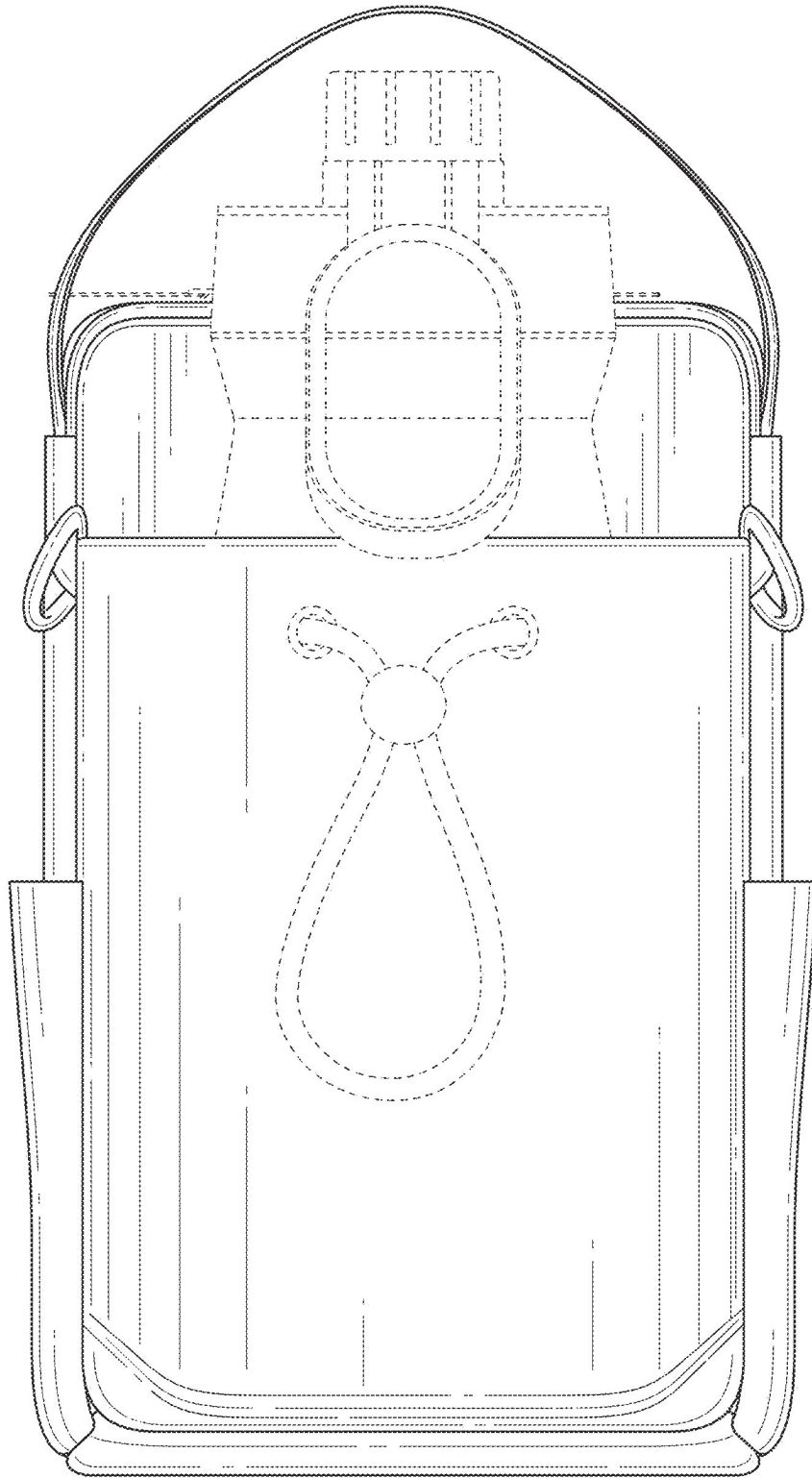


FIG. 1

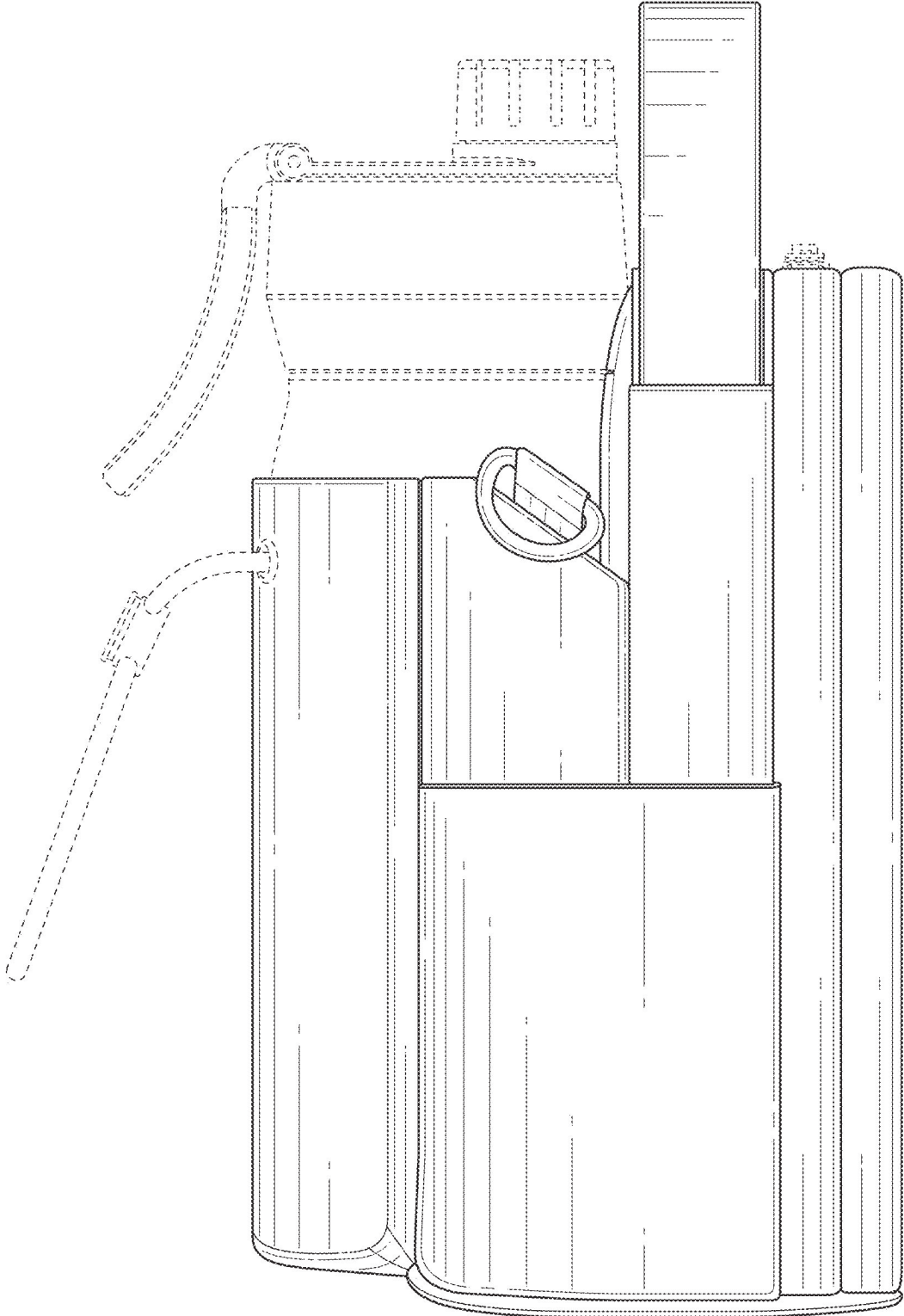


FIG. 2

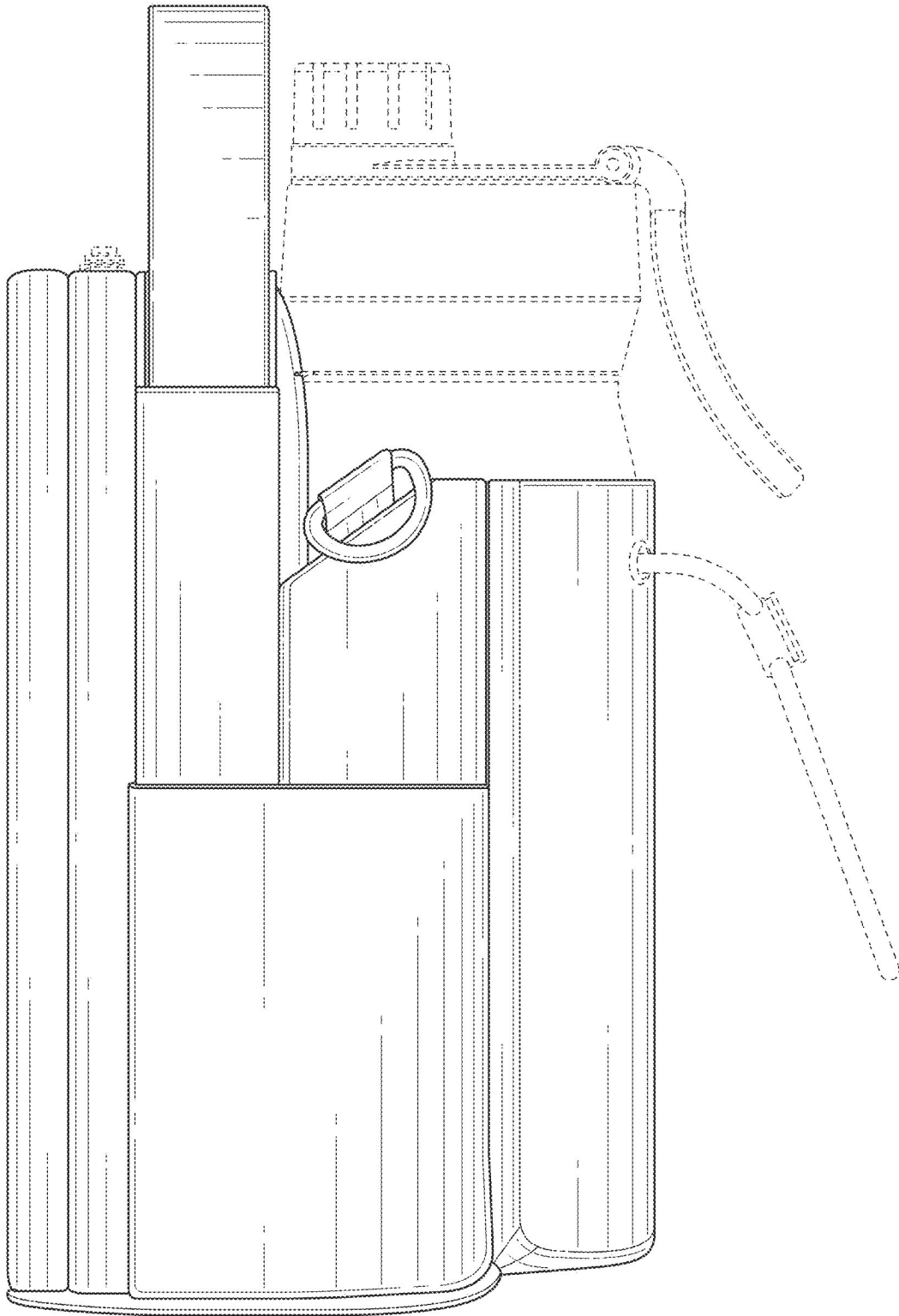


FIG. 3

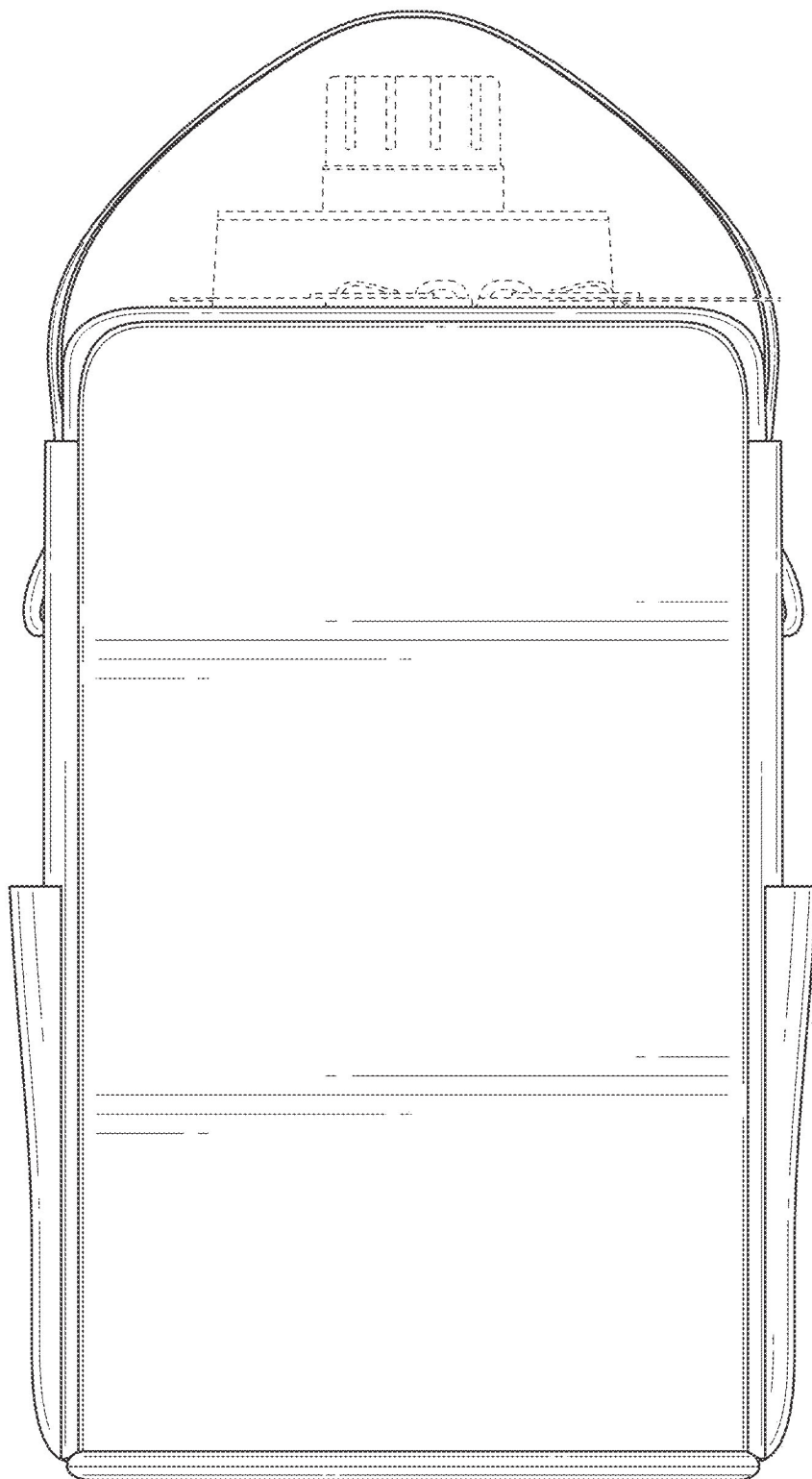


FIG. 4

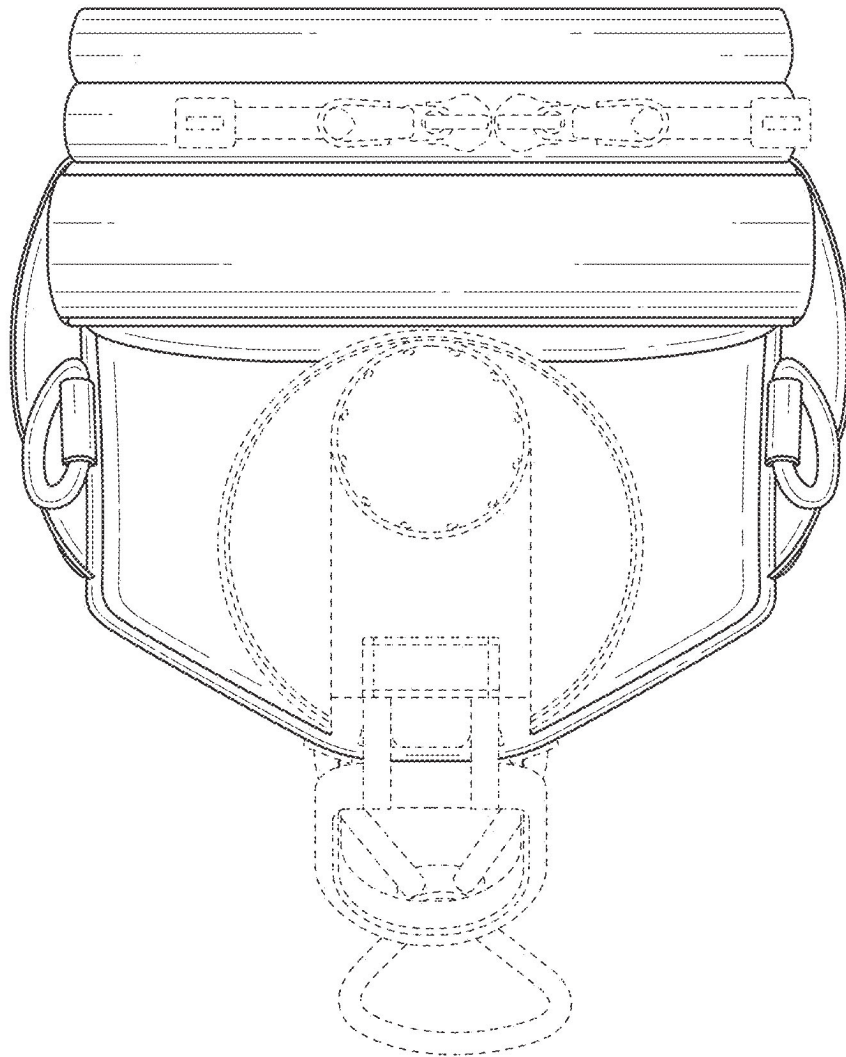


FIG. 5

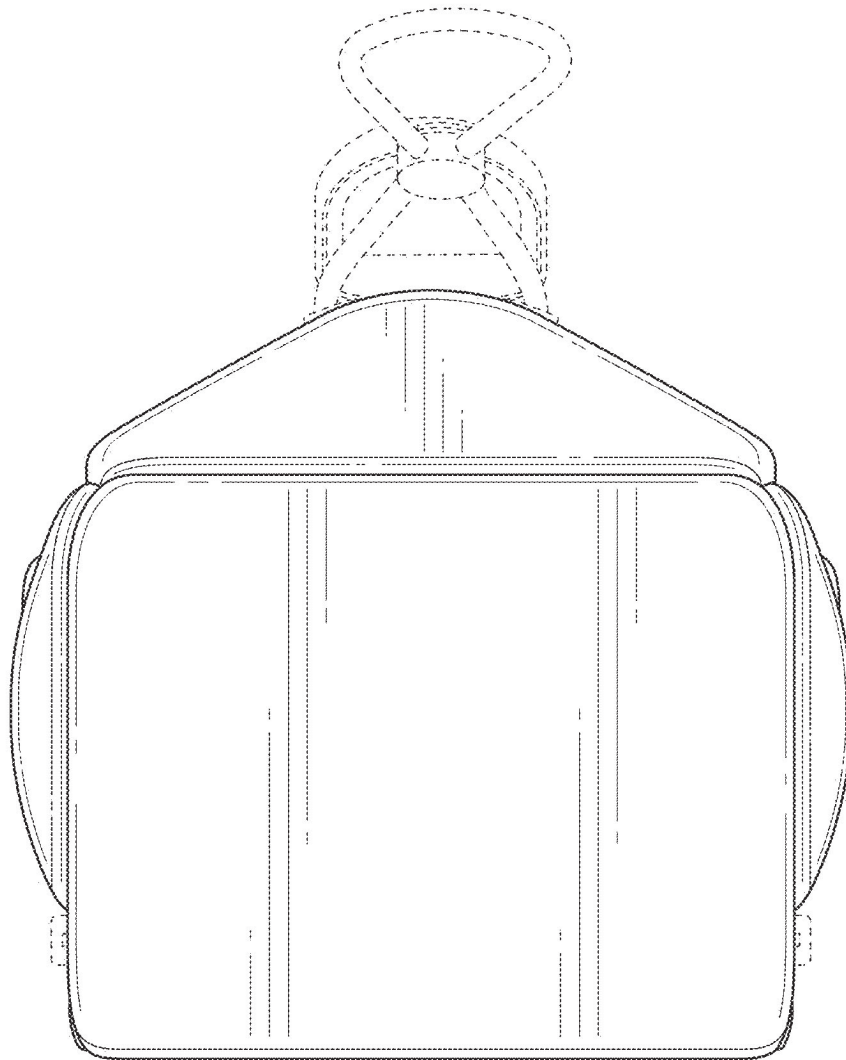


FIG. 6

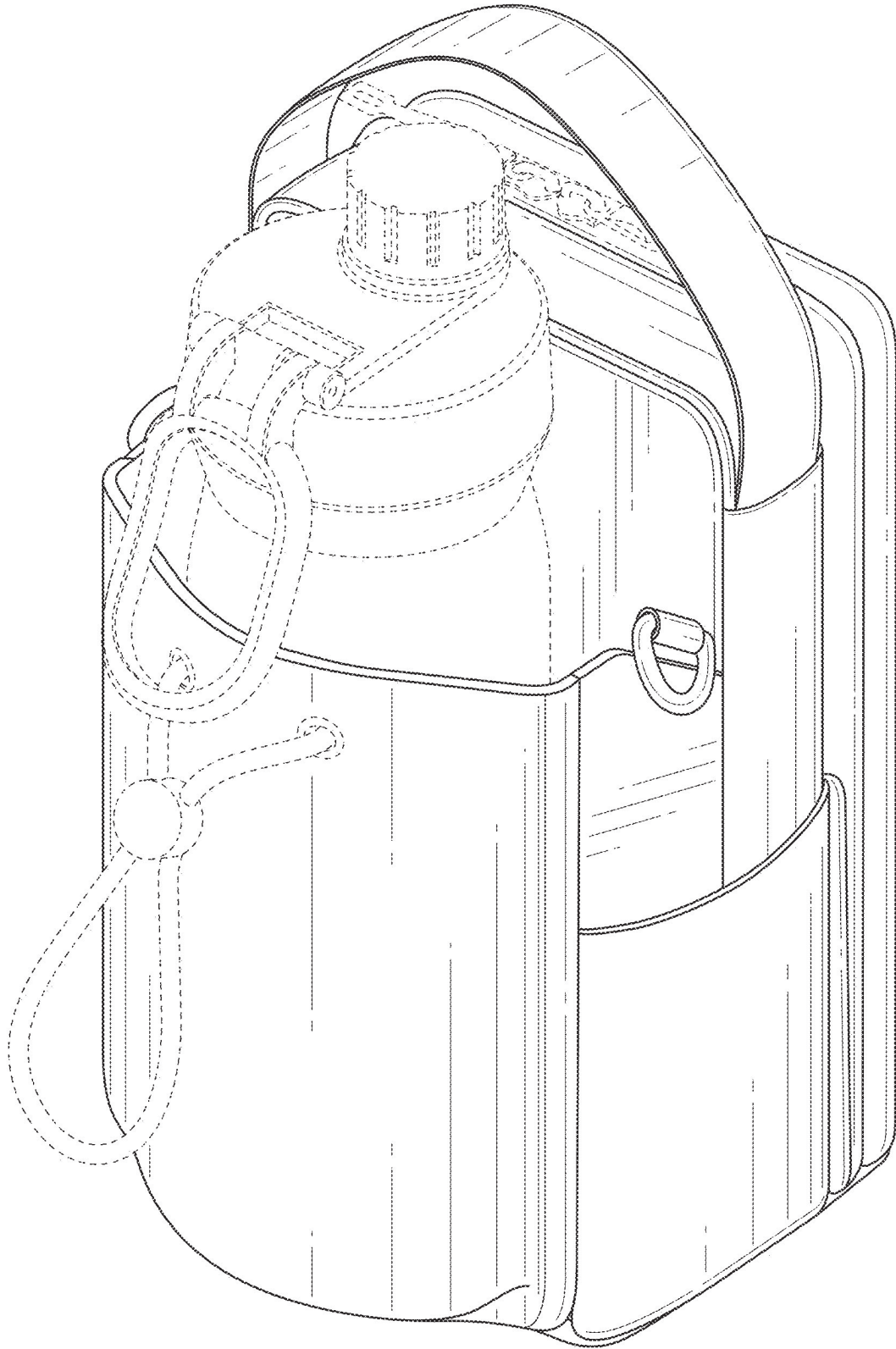


FIG. 7

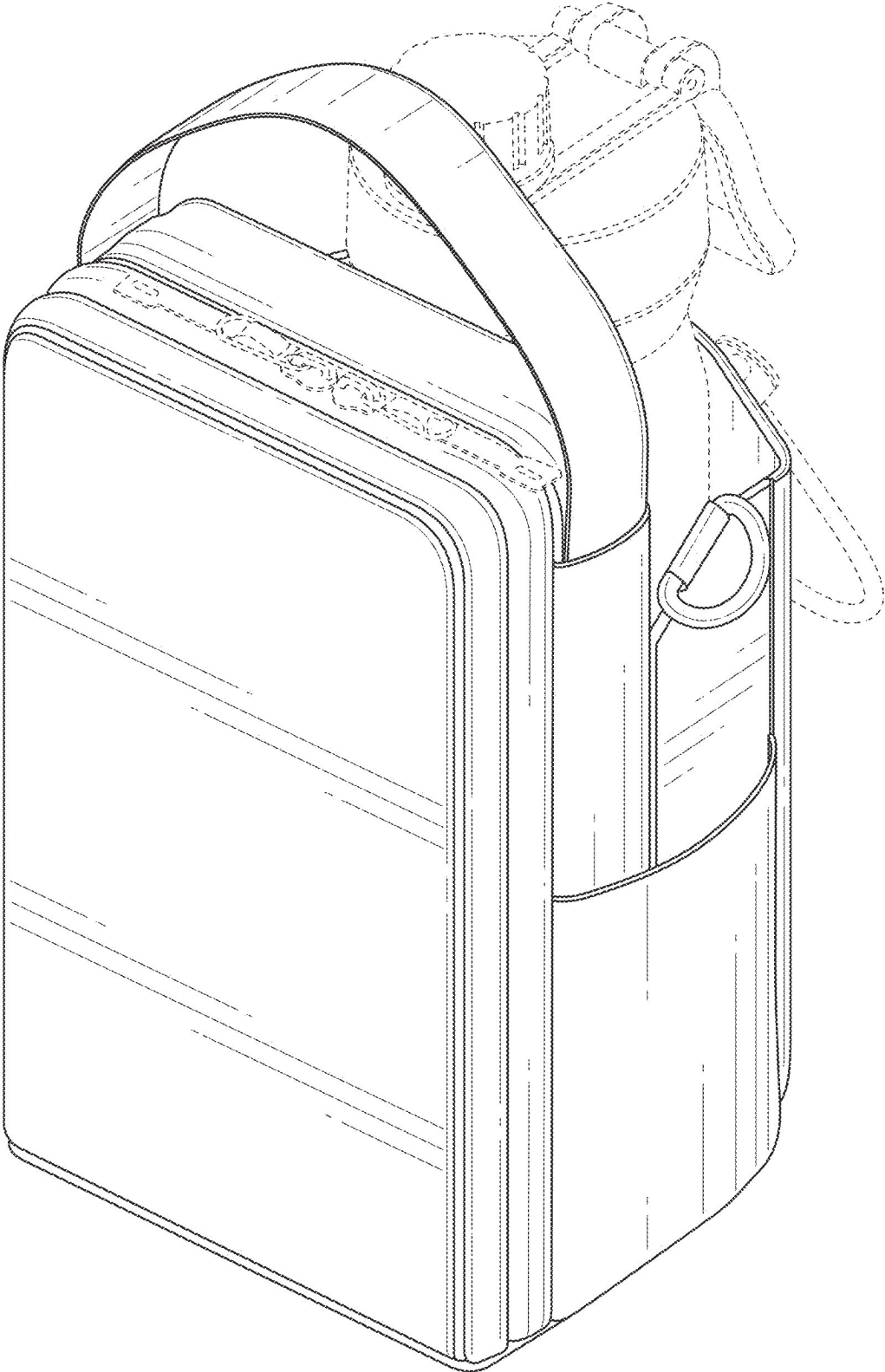


FIG. 8

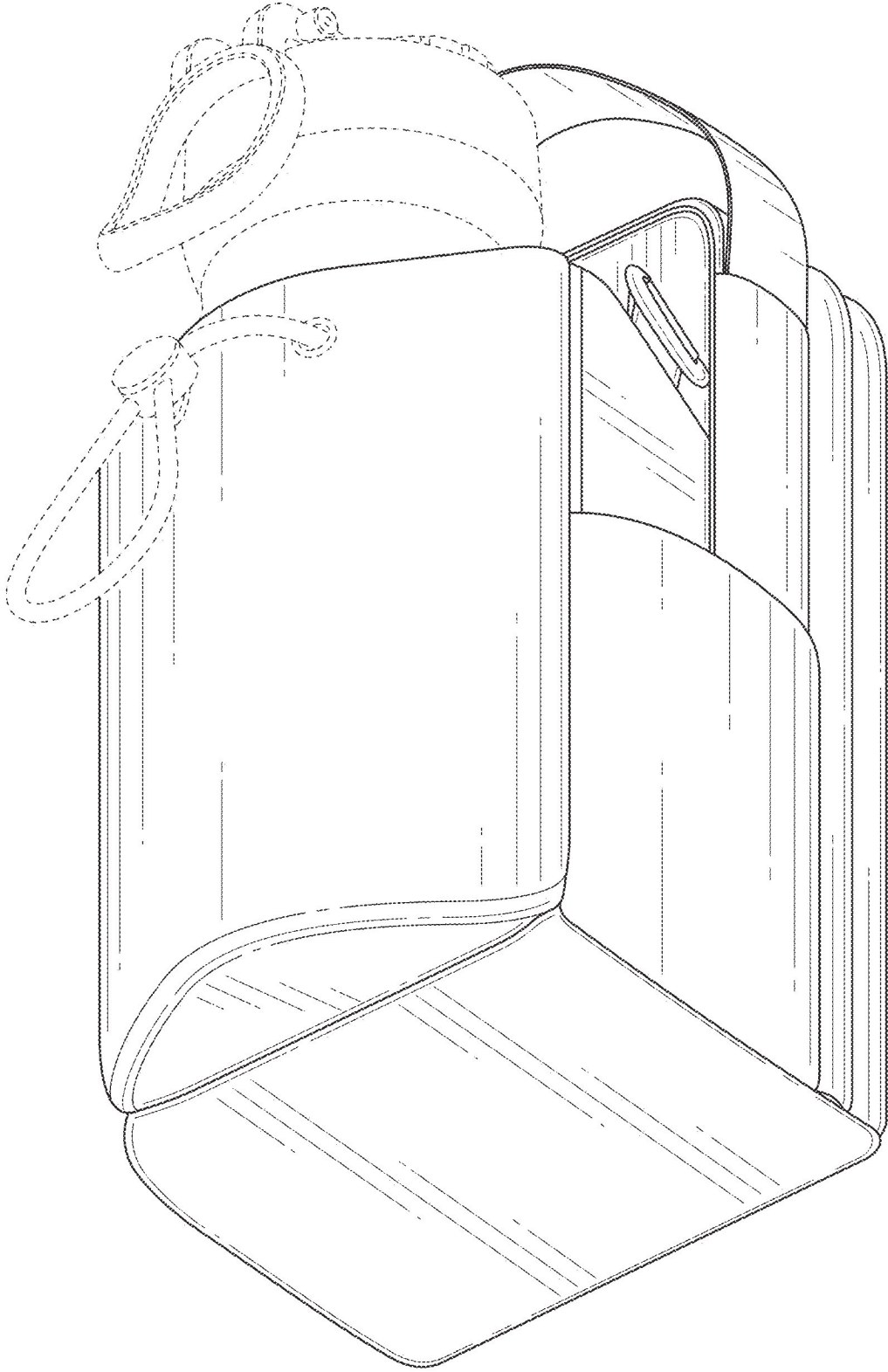


FIG. 9

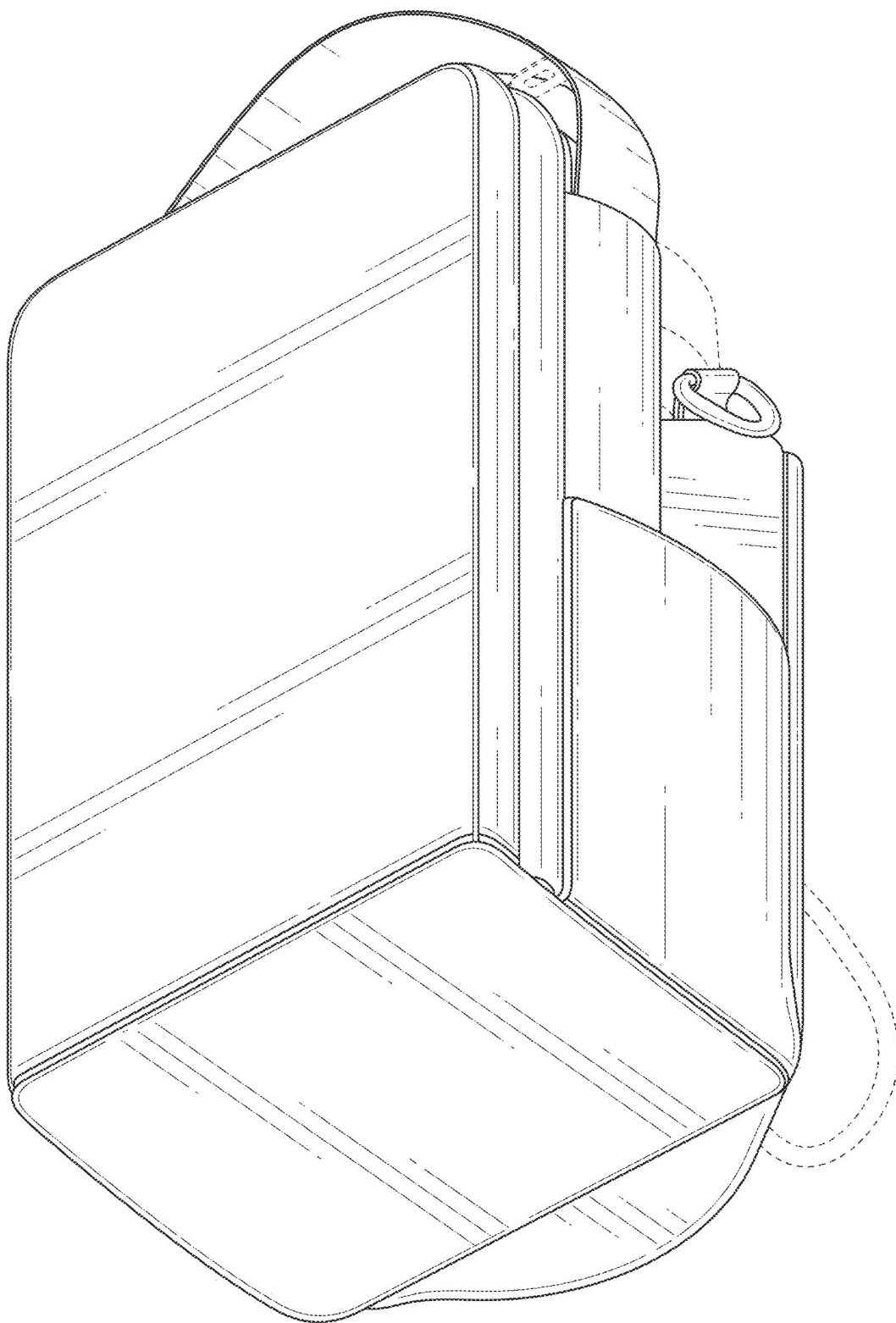


FIG. 10

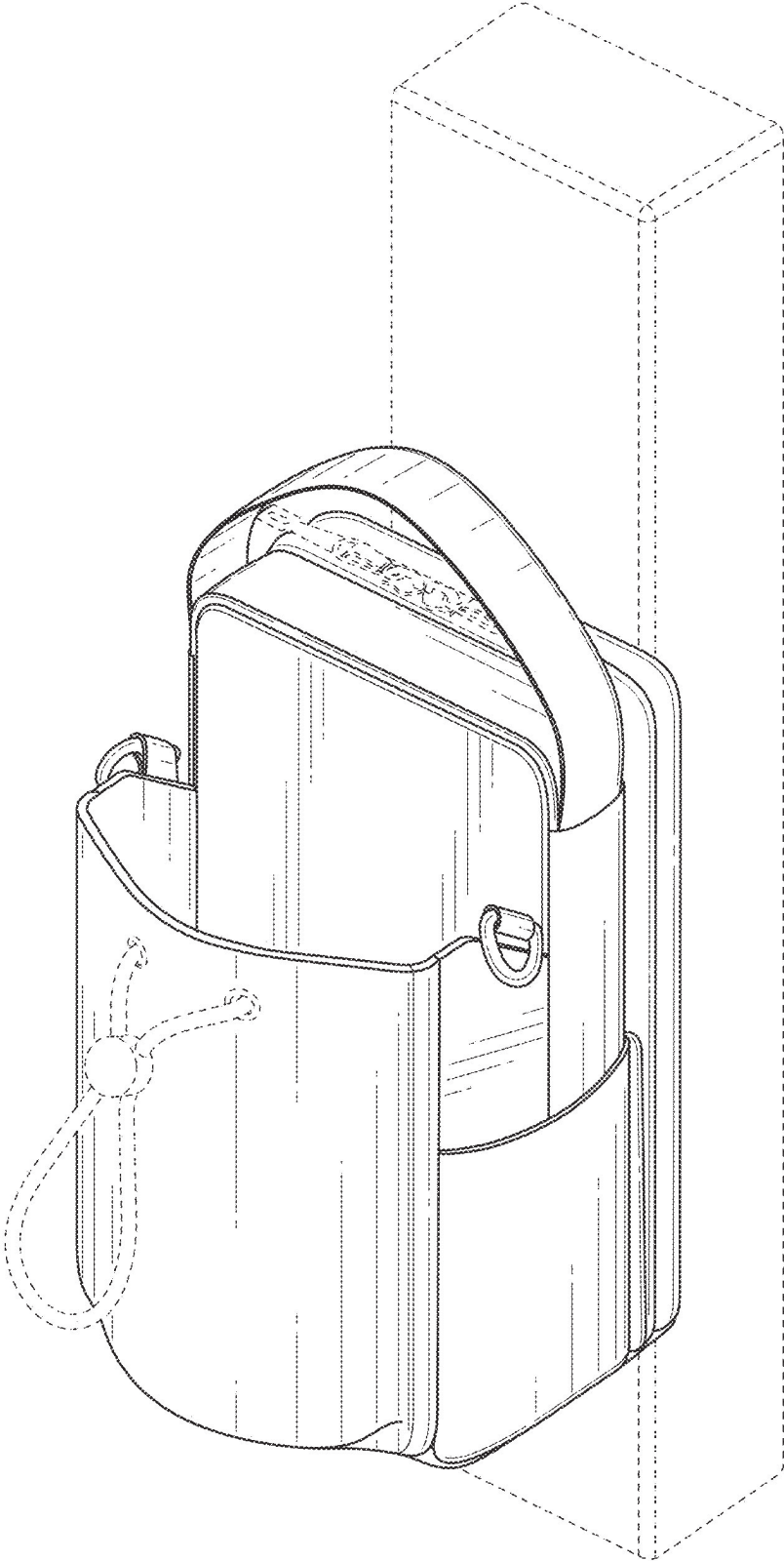


FIG. 11

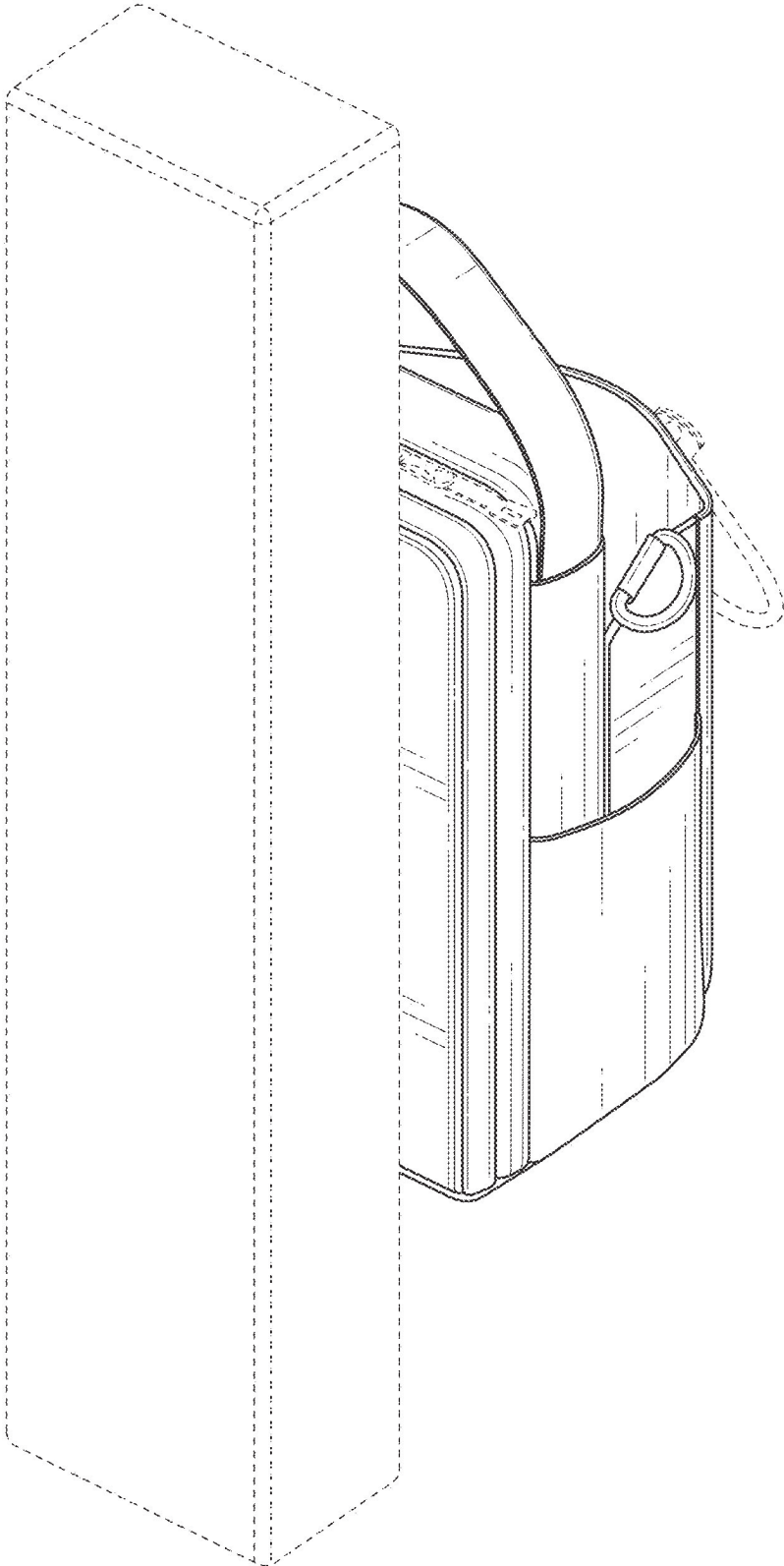


FIG. 12

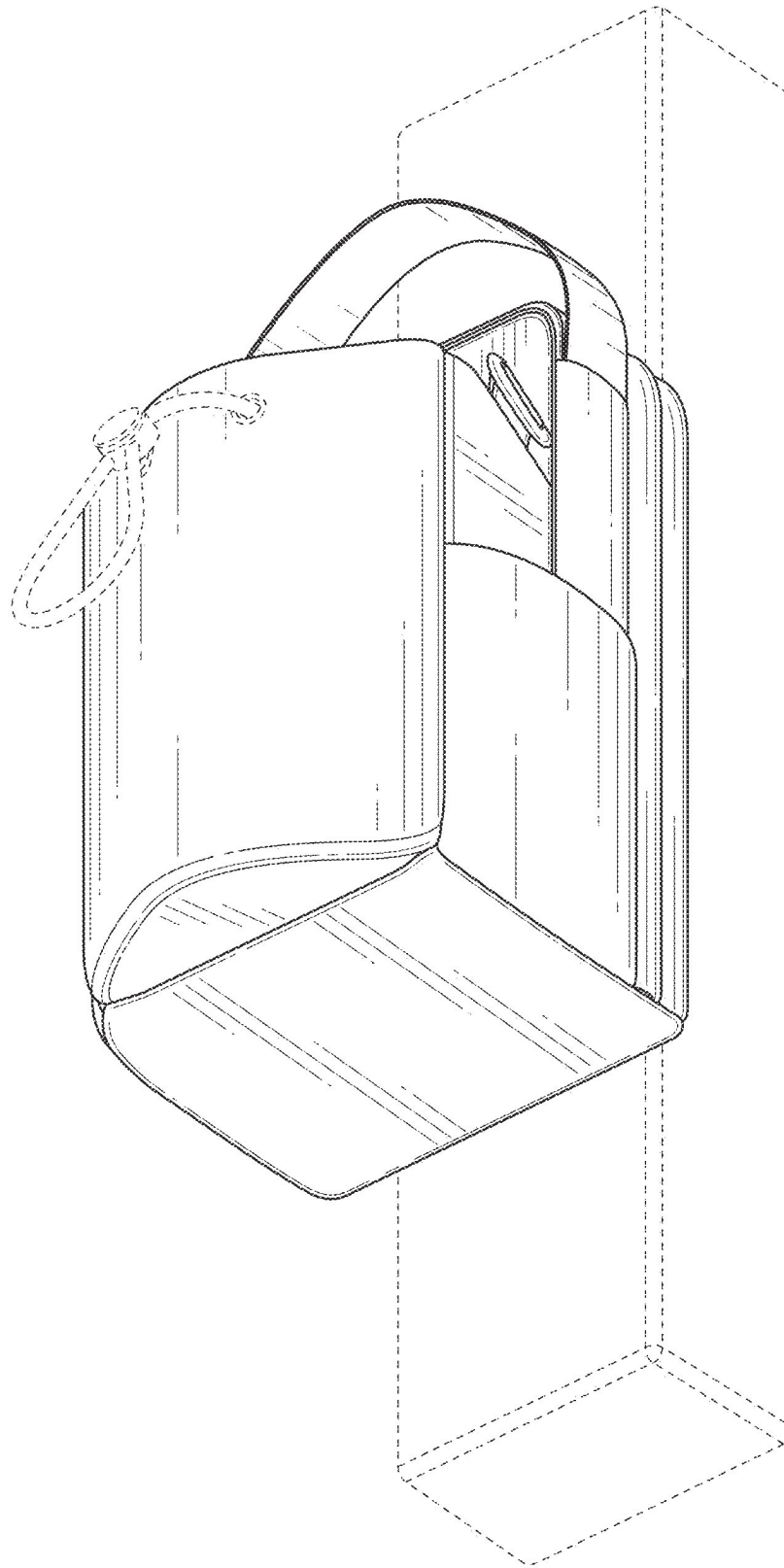


FIG. 13

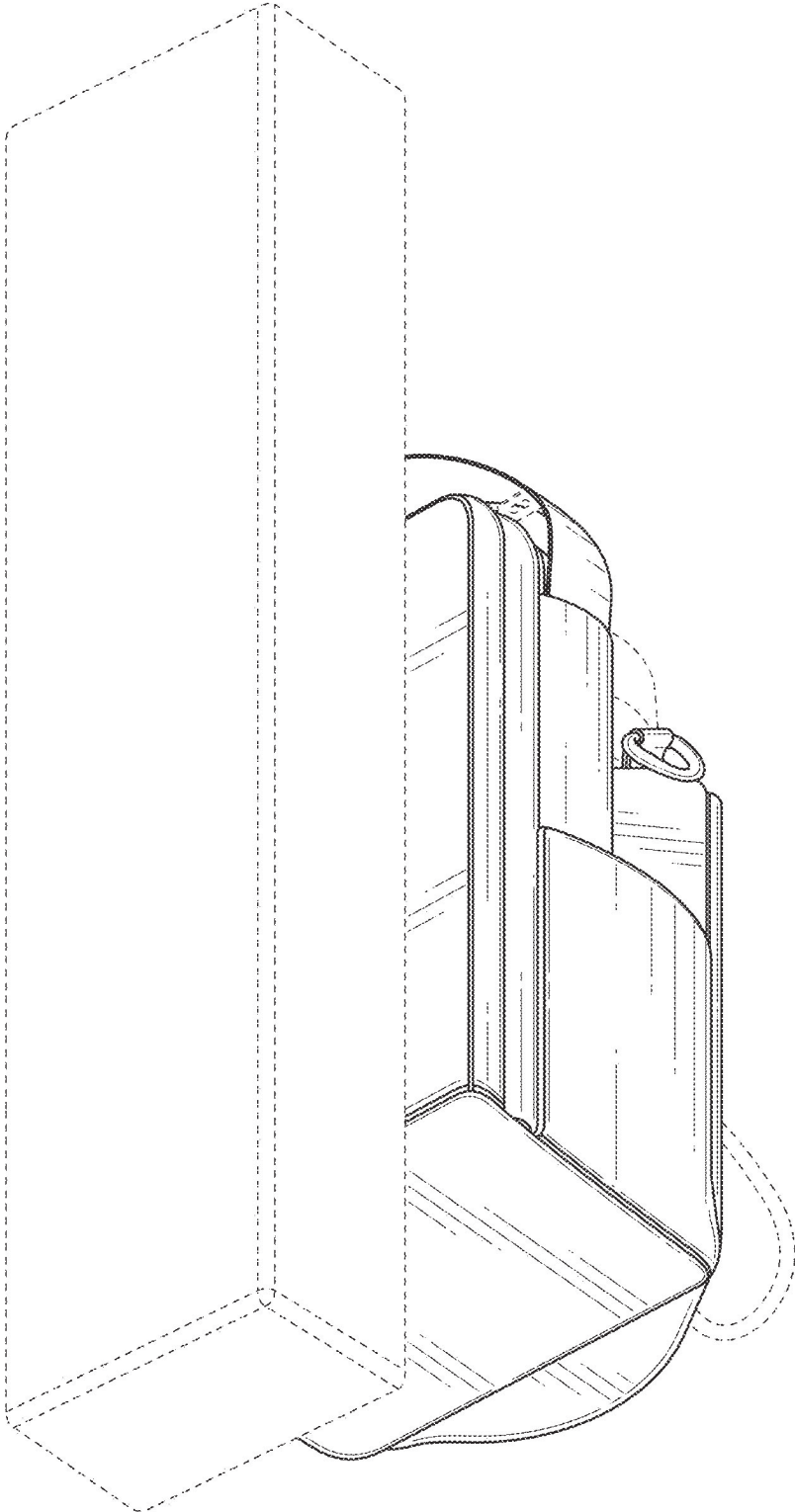


FIG. 14

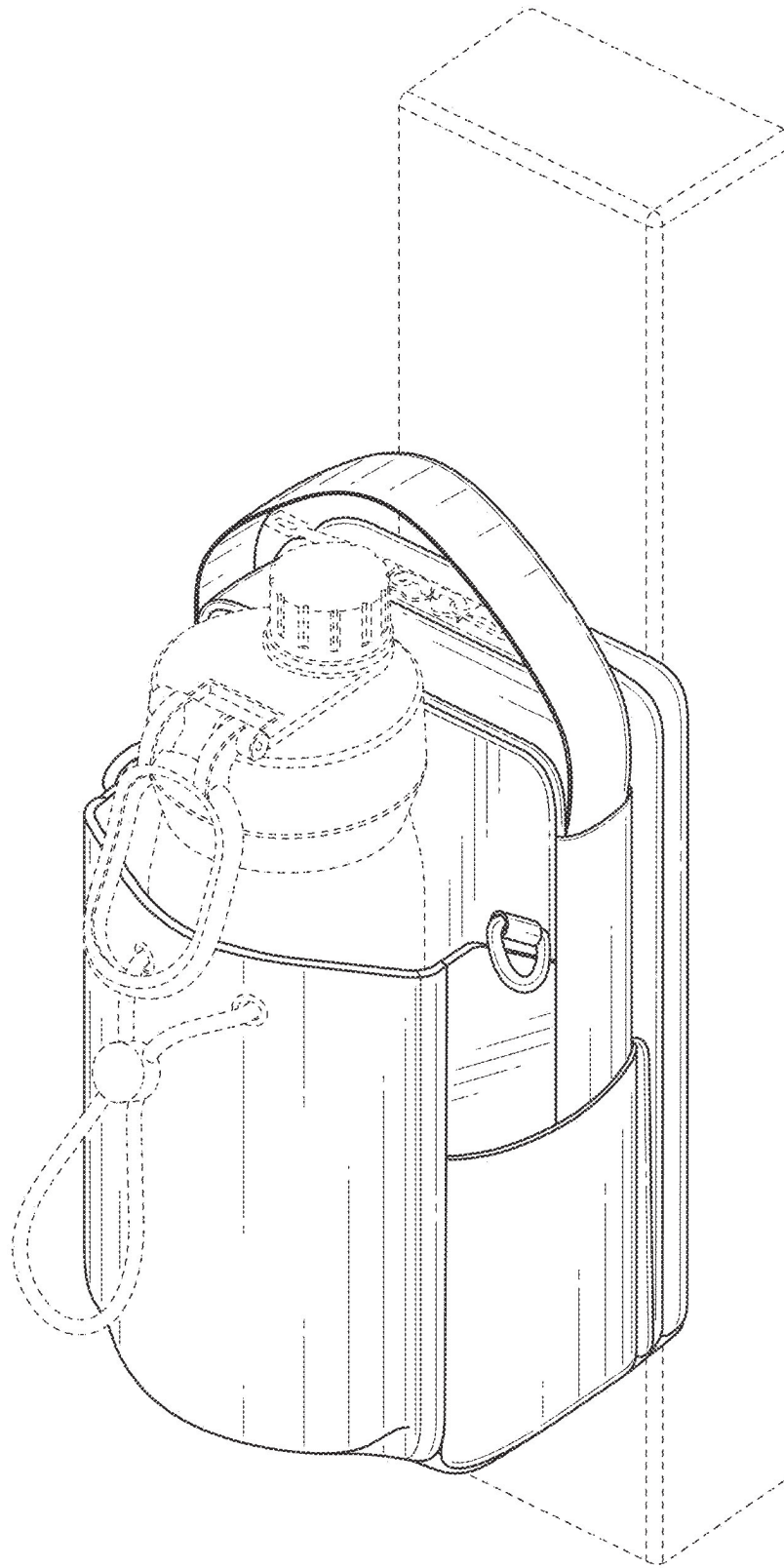


FIG. 15

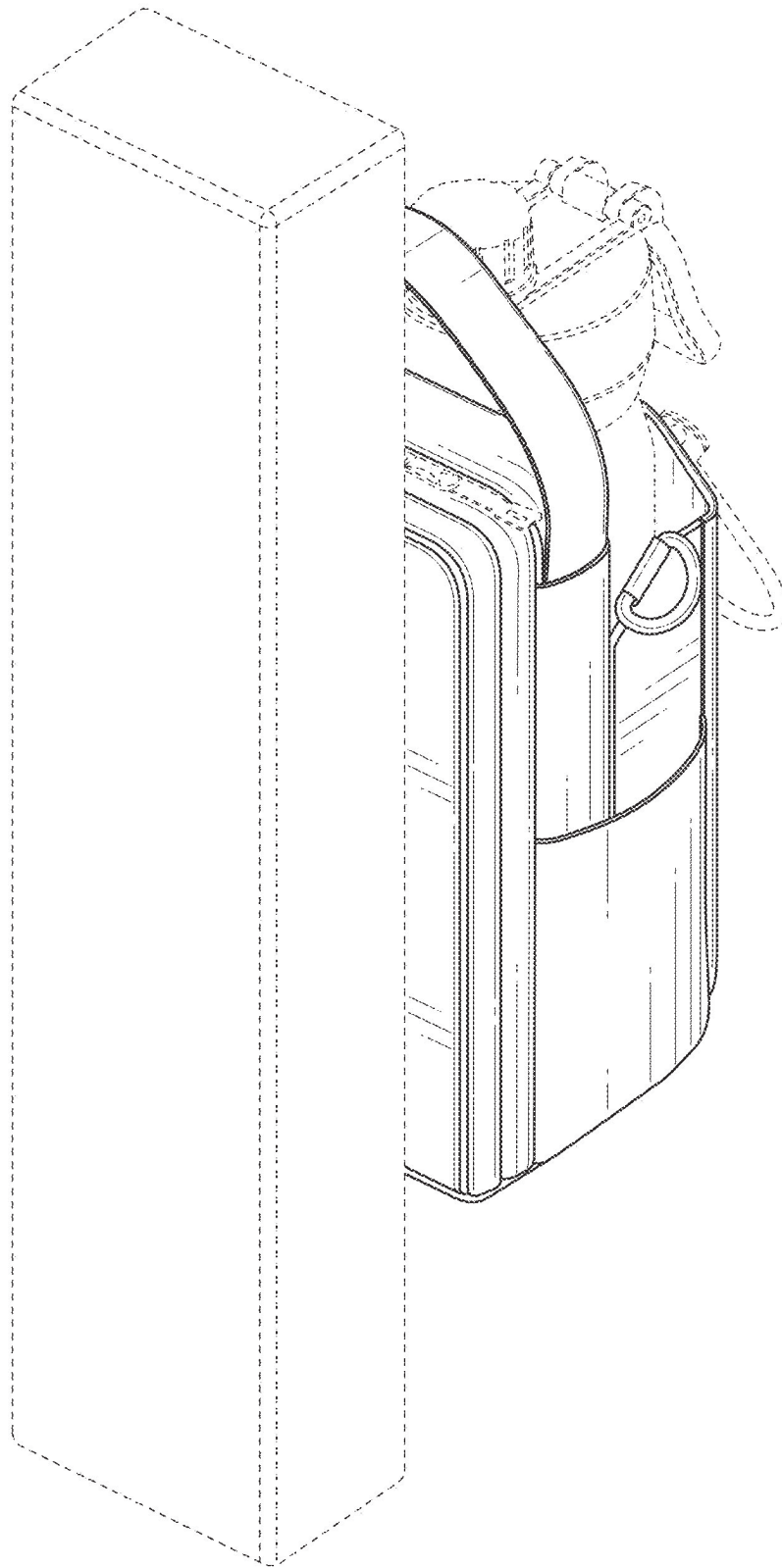


FIG. 16

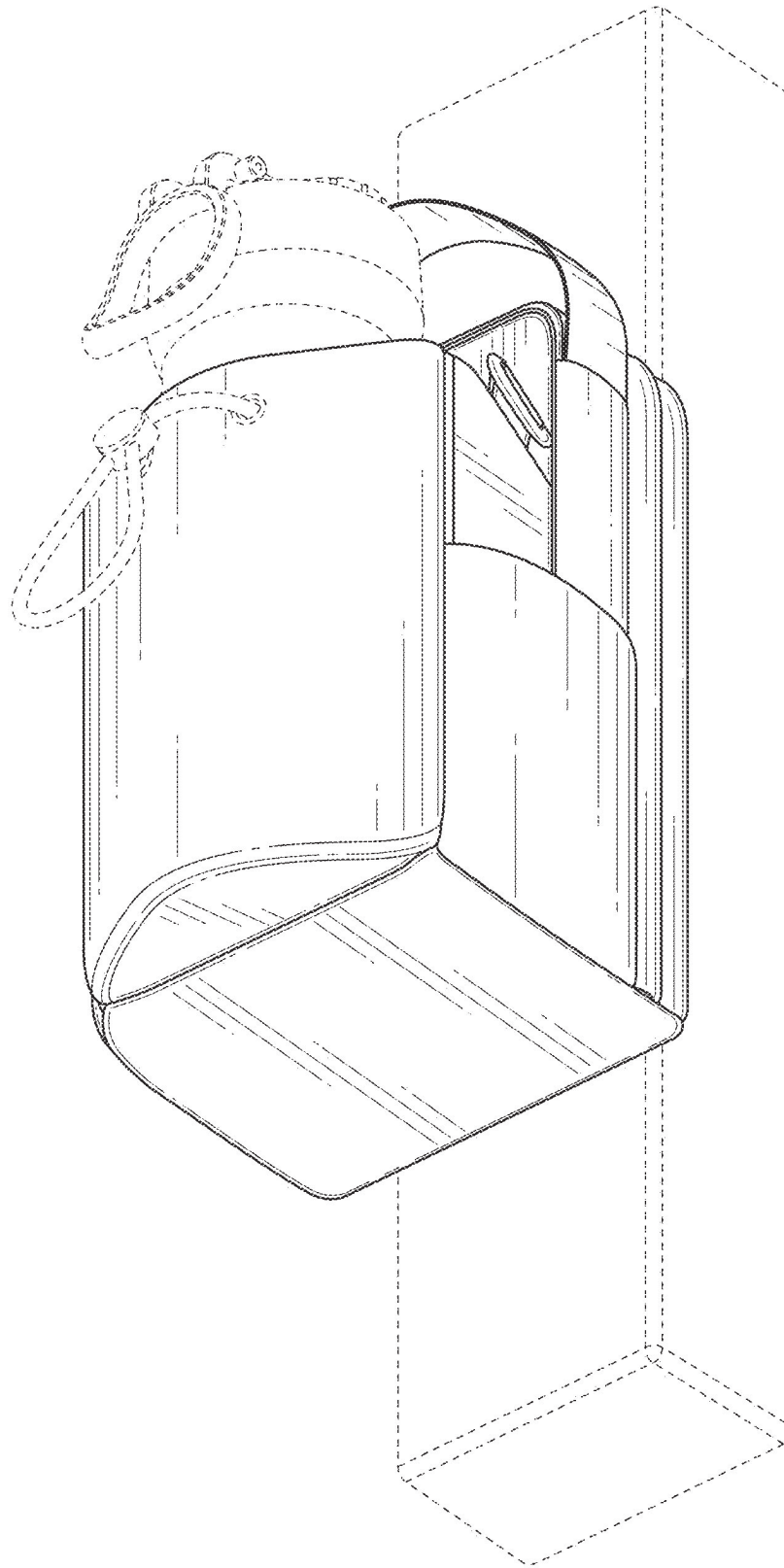


FIG. 17

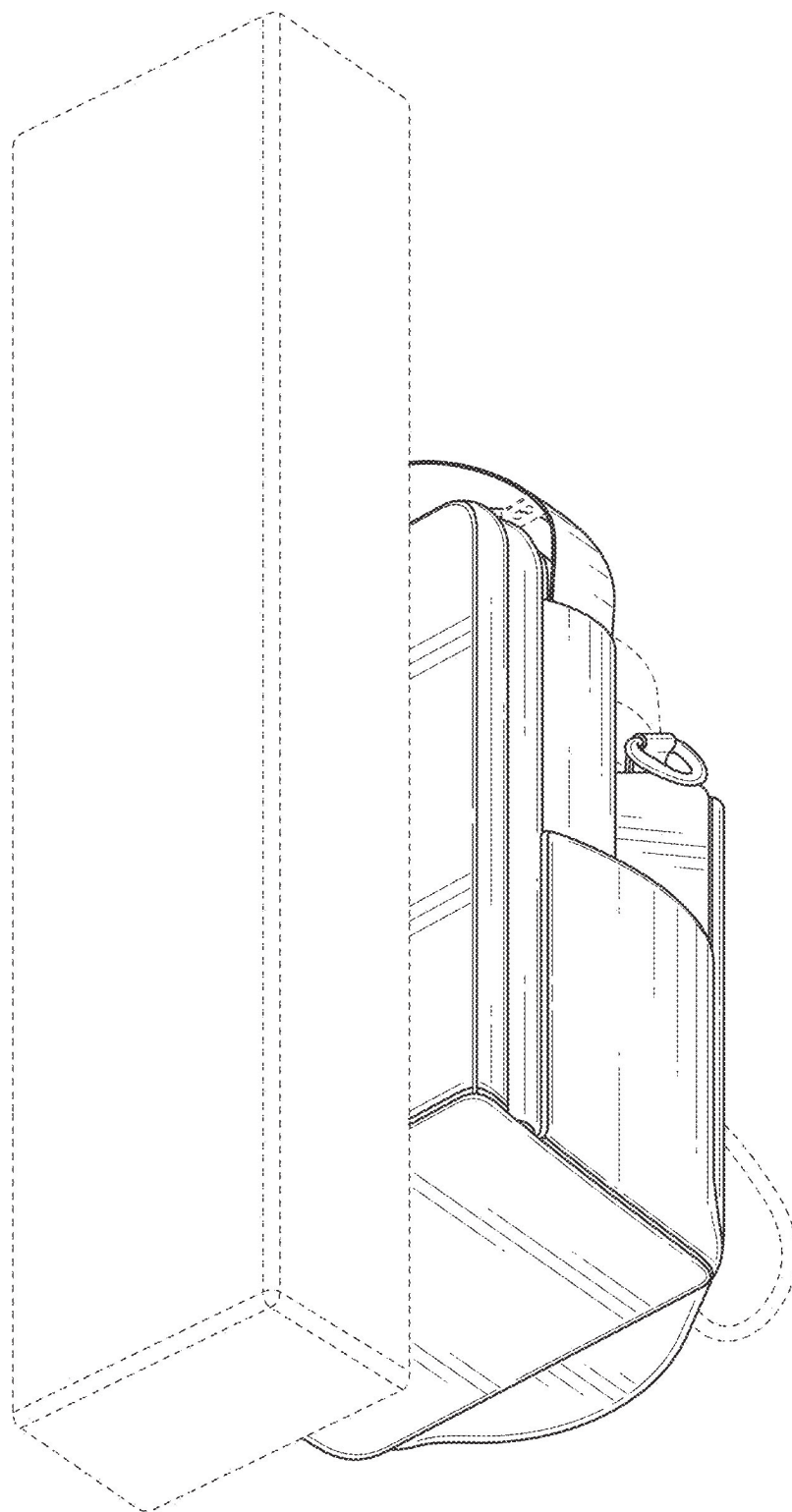


FIG. 18



'FALL' INTO SAVINGS
15% OFF ALL BAGS W/ CODE 'FALL15'

02:18:11:53
Days Hrs Mins Secs



PATENTS

At Magnetic Bag Company, innovation is built into everything we make. Our designs are protected by U.S. patents and pending applications, ensuring our products remain as original as the day we created them. These patents protect Magnetic Bag Company's inventions and the extensive resources we devote to research, development, and design.

In accordance with 35 U.S.C. § 287(a), Magnetic Bag Company provides notice that the products listed below are protected by the associated patents listed below. The following list of Magnetic Bag Company products and patents is not all-inclusive. Additional Magnetic Bag Company products may be protected by one or more additional patents and pending patent applications in the U.S. and elsewhere.

Magnetic Bottle Bag

U.S. Patent No. **D1087596**

UK Registered Design No. **6430667**

EU Registered Community Design No. **015095388-0001**

China Design Patent No. **ZL 2024 3 0342299.3** (CN 309008196 S)

Additional patents pending.